



**CURVED**

---

**linear  
sliding  
doors**

**automatic  
sliding  
curvilinear  
entrances**

# RONDINA

## SEMICIRCULAR CONCAVE OR CONVEX

PONZI automatic curved sliding doors may be manufactured in various types, taking the name of: Rondina having a semi-circular shape, Ronda having a circular shape, Arco Ribassato having a sector of circumference shape and Elypsa provided with two elements combined to create an oval shape. Their composition allows to realize first-rate architectural entrances and particular aesthetic effects. The unique and innovative technology of the mechanism allows to build curved automatic doors with a high-quality movement. The dimensional range of Rondina starts from a diameter of 1800 mm up to 3600 mm. Rondina can be manufactured in different materials: standard aluminium in RAL colours, special cladding with stainless-steel, corten, brass or bronze moulded sheets. The standard curved safety glasses are 8/9 mm thick and with 0.76 mm pvb films. The use of these special doors fits into a context where the entrance is the protagonist, having to enhance the environment and are therefore indicated in accommodation facilities, hotels, restaurants and in the management sector such as private and public offices, company headquarters, credit as well as shops and showrooms. The movement of the door is particularly silent and reliable over time, PONZI profiles with reduced section are complete with relative sealing gaskets, all built with quality procedures and in compliance with the current European Machinery Directive EN 16005.



Rondina - Stainless steel version



Rondina - Concave version application in hotel sector



Rondina - Large size diameter in restaurant sector



Rondina - Minimal PONZI profiles, reduced section 20 mm

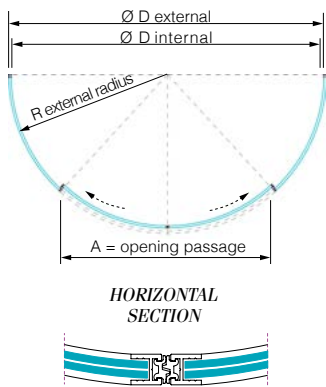


Rondina - Anodized gold finish



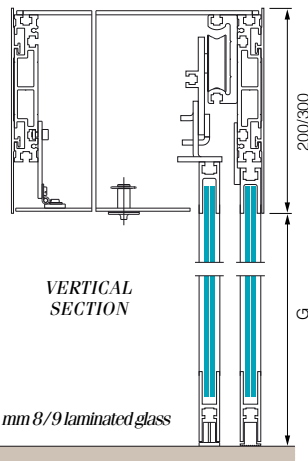
Rondina - For small size entrance

### RONDINA - RONDA



HORIZONTAL SECTION

mm 20/30 profiles



VERTICAL SECTION

mm 8/9 laminated glass

Clear opening passage A, obtainable in function of external diameter expressed in mm.

Ø D <sub>e</sub>	A
Diameter	Passage
1800	1150
2000	1280
2200	1420
2400	1550
2600	1690
2800	1830
3000	1960
3200	2100
3400	2240
3600	2360

#### LEGENDA

Ø D<sub>e</sub> = external diameter  
 Ø D<sub>i</sub> = internal diameter  
 A = opening passage  
 G = height passage (maximum 3000mm)



Rondina - Complete entrance with linear PONZI door

— | STANDARD DIAMETERS AVAILABLE | —

# ARCO RIBASSATO

## LOWERED ARCH VARIABLE RADIUS DOOR

Circumference arc curved doors type PONZI Arco Ribassato are made with a variable radius, therefore their curvature has a different depth. They are built with aluminium profiles and 20 mm or 30 mm sections, depending on the dimensions and architectural choices. The canopy of the Arco Ribassato, as for Rondina, can be supplied with a cover ceiling and consists of a single curved canopy containing the 320 mm deep automatic system. However, it is possible to include optional cover and spotlights, depending on the need and the door coverage radius. The structure of the canopy in its upper part, for a correct fixing, must be anchored to the building or to a substructure specially made according to our technical directions. The sealing gasket system completes the finish and ensures tight air resistance. Entrances can be made with two Lowered Arches automatic doors aligned on the same glazed wall or a double entrance can be built by varying the radius of one of the two automatic doors. PONZI technical expert engineers carry out quality control, performing training and give relative instructions if local installation is needed, checking out the absolute functionality of the doors. The care and maintenance after-sale throughout the international territory, if necessary, are coordinated by PONZI after Sales Service or local dealers.



Lowered Arch - stainless steel finish and technical Ponzi mat



Lowered Arch - Concave door with slim section profiles of 20 mm



Lowered Arch - Entrance with sliding door leaves

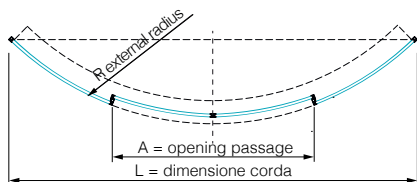


Lowered Arch - Convex door with insulating gasket system

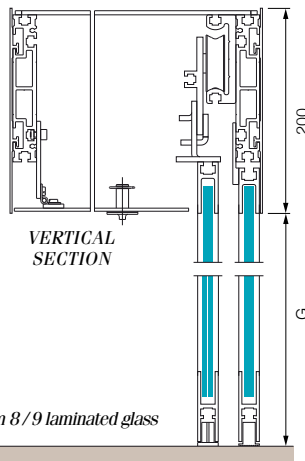


Lowered Arch - Framed movable and fixed lateral

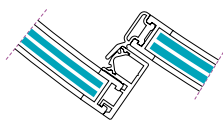
### LOWERED ARCH



HORIZONTAL SECTION



VERTICAL SECTION



mm 20/30 profiles

SLIDING DOOR NODE - FIXED

mm 8/9 laminated glass



TOS Lowered Arch - Anti-panic total opening system

# RID - TOS

## OPTIONAL ANTIPANIC DEVICE FOR SECURITY OUTPUTS

Automatic curved sliding doors PONZI Rondina and Lowered Arch can be provided as an option with anti-panic disposal suitable for specific installation on escape route and/or safety exit. Available devices are TOS and RID type. The mechanical device T.O.S. (Total Opening System) allows the manual opening and break down of the door leaves, even during normal sliding operation and allows their collection, clearing the passage. The RID Redundant System complies with the European Safety Regulations EN 16005 in use and entrusts the opening of the compartment to the automation, so that the doors in the event of emergency open and this way ensures the exodus. Emergency doors, open up allowing people to escape. The RID automation can be used when the break-out system doors cannot be opened and the TOS system can cause danger, during break-out of the doors, for transit and passage of persons in the adjacent areas. TOS disposal is used with special PONZI profiles section 50 mm, while the redundant RID automation is easily compatible with mm 20 and mm 30 PONZI profiles or with frameless glazed wings. TOS standard dimension for clear passage is mm 1380 and for emergency exit is mm 2640, with height from mm 2200 up to mm 2500.



Ronda - RID "redundant" anti-panic opening simulation



Lowered Arch - TOS Total Opening System in antipanic, break-out position



Lowered Arch - RID combined with 20 mm reduced profiles



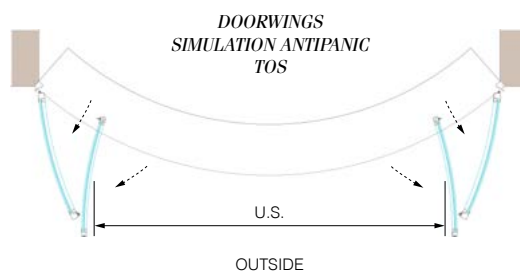
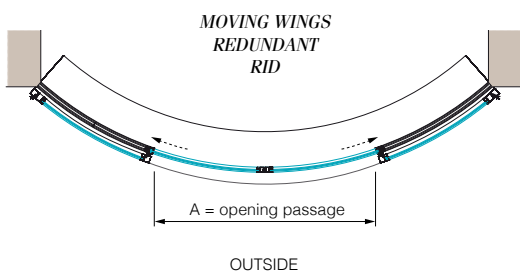
Lowered Arch - TOS with complete doorwings break-out

### TECHNICAL SPECIFICATIONS LOWERED ARCH STANDARD TOS ANTIPANIC DISPOSAL

- Emergency Exit: U.S. 2640 mm
- Opening passage width: A = 1380 mm.
- Opening passage height: G max. 2305 mm.
- Mechanism length: depending on the radius used.
- Mechanism height: 220 mm.
- Mechanism depth: 320 mm.



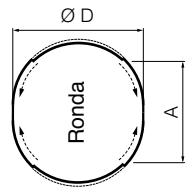
Certificate - test report for anti-panic escape route, emergency escape route



# RONDA

## CIRCULAR DOOR

The creation of a cylindrical entrance inner door can be achieved with Ronda, coupled with Rondina that has an equal diameter. This solution allows to have a suitable passage for the transport of hand luggage, suitcases, for the passage of wheelchairs and possible bulky goods, thus eliminating architectural barriers. The circular and transparent shape, its perfect operation and its silence, make it a door of architectural design, creating an entrance in style. PONZI cylindrical inner door can be perfectly integrated into every type of architectural structure: headquarter offices, showrooms, hotel, airports, etc.



Ronda - Special canopy height for company headquarters

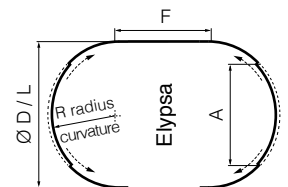


Ronda - Stainless steel brushed cladded profiles, main headquarters offices

# ELYPSA

## OVAL DOOR

Another possible version is the creation of an oval doors for entrances of prestige, composed with two curved automatic doors PONZI Rondina or Arco Ribassato and connecting walls. Because of it, the passage is linear and it allows a facilitate transit to the customers. The entrances open and close subsequently one to the other, through consent or access control too, eliminating drafts. Connecting walls can be both panelled or glazed and door radius varies upon customer request.



Elypsa - N° 2 Rondina joined by glazed wall



Elypsa - N° 2 Lowered Arch, prestige solution, hotel entrance with brushed stainless steel finishing

# OUT DOORS

## SOLUTIONS "CUSTOM MADE"

COMPOSITE CURVED ENTRANCE DOORS are achieved with Rondina automatic door and/or Lowered Arch with variable circle sector. The typological range that can be obtained is vast, by combining curved and linear doors with each other, enhancing the architecture of the building. In addition to the Ronda and Elypsa compasses, it is also possible to combine two Lowered Arch by varying the rope, without using glass connection elements. In frequent use are also compasses equipped with panic devices: TOS with manual break down opening or RID with redundant automation. Curved doors are available in different materials: aluminium profiles coated in RAL painting or special colours, (PONZI colour chart choice) or clad with different material such as stainless steel, bronze and antique brass.



Ⓜ Hotel - Lowered Arch composition suitable for entrance hall and large spaces



Ⓜ Airport - Ronda composed with two large semicircular Lowered Arch



Ⓜ Hotel - Lowered Arch glame, shiny stainless steel



Ⓜ Hotel - Lowered Arch Compass RID Redundant

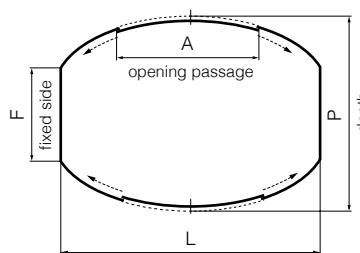


Ⓜ Luxury Shop - Special copper finish

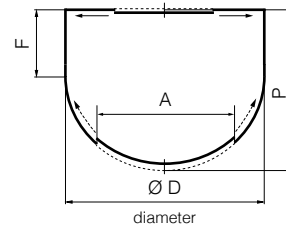


Ⓜ Hotel - Lowered Arch Compass with linear sliding door

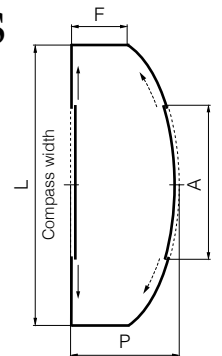
### CURVED ENTRANCE SOLUTIONS



Double Lowered Arch



Rondina + AS sliding door



Arco Ribassato + AS sliding door



**PONZI** Automatic Doors  
26/a, Viale Gramsci  
48031 · Bagnara · RA · Italy  
☎ +39 0545 76009

**PONZI** Italian Branches  
7, V. Calvino · Rho · MILAN  
1378, V. Salaria · ROME  
6, V. Moro · Montesilvano · PE

**PONZI**