

ENTRANCE

CURVED

AUTOMATIC DOORS

SEMICIRCULAR CIRCULAR

LOWERED ARCH ANTIPANIC



CURVED

AUTOMATIC ENTRANCES

SPECIAL CUSTOM MADE

CURVILINEAR & CIRCULAR

RONDINA

SEMICIRCULAR CONCAVE OR CONVEX

PONZI automatic curved sliding doors are made of various types called: Rondina, that is arch shaped, Ronda and Circle Slide that are circular shaped, Lowered Arch that has a circle sector with a variable radius and Elypsa, that has two combined components with an oval shape. Their composition allows to create great value architectural entrances and a particular aesthetic effect. The unique and innovative technology of the mechanism allows to build curved automatic doors with a high quality movement. The sizable range of Rondina is from 1800 mm up to 3600 mm of diameter. The Rondina can be manufactured and cladded in different materials: standard aluminium in RAL colours profiles, stainless steel cladded, brass and wood in various finish. The standard laminated glasses are 8/9 mm thick and plastic PVB films are 0,76 mm thickness. The use of these special doors has its place in a context where the entrance is the protagonist and must give a value to the surrounding environment. Therefore they are suitable for accommodation facilities, hotels and restaurants, for rooms of the commercial and tertiary sectors (private and public offices, corporate offices, shops, showrooms, agencies, banks). The movement of the door is extremely quiet and reliable in time. The frames with their respective gaskets are built according to high quality standards. They also comply with the current European Machinery Directives EN 16005.



Rondina - stainless steel version



Rondina - concave version application in hotel field



Rondina - large size diameter in restaurant field



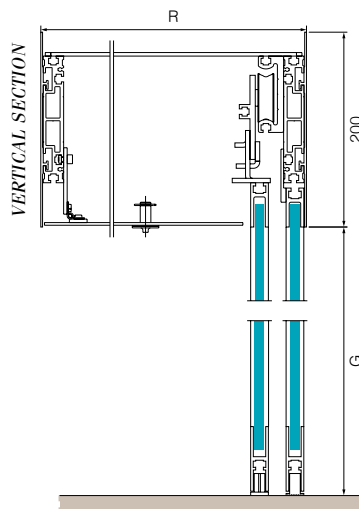
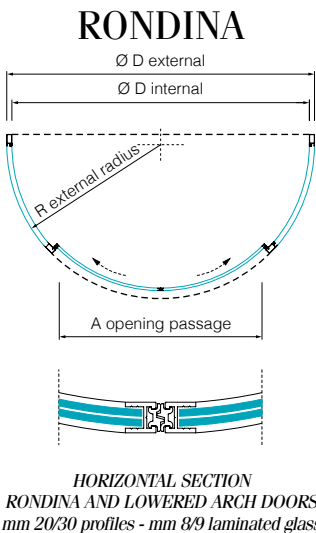
Rondina - minimal PONZI profiles, reduced section 20 mm



Rondina - anodized gold finish



Rondina - for small size room



RONDA RONDINA

Clear opening passage A, obtainable in function of the external diameter, all sizes are in mm.

Ø D	A
1800	1100
2000	1230
2200	1380
2400	1500
2600	1630
2800	1800
3000	1940

LEGEND
A = opening passage
G = height passage
Ø D = external diameter



Rondina - complete entrance with linear PONZI door

ARCO RIBASSATO

LOWERED ARCH VARIABLE RADIUS DOOR

The construction of standard doorwings for both door models is made of frames in different profiles of aluminium section 20 mm or 30 mm, that give the door a self-supporting structure. The sliding door wings are made of extruded profiles in aluminium alloy measuring 20 mm or 30 mm section profiles, depending on the size and the architectural choices. The Lowered Arch canopy, unlike Rondina, which has already been constructed from a cover, is made up of a single curved box containing 320 mm deep automation. However, it is possible to include an optional cover and any spotlights, depending on the need and the door coverage radius. The structure of the canopy in its upper part, for a correct fixation, must be anchored to the building or to a substructure specially made according to the technical directions. The sealing gasket system completes the finish and ensures tight air resistance. Can be manufactured complete entrance with two independent automatic doors aligned and parallel, connected between them with a fixed glazed or wall. Each door is assembled, checked and tested in the factory before expedition. Technical expert engineers carry out, quality control, performing training and relative instructions if local installation is needed, checking out the absolute functionality of the doors. The care and maintenance after-sale throughout the international territory if necessary are coordinated by PONZI after Sales Service or local dealers.



Lowered Arch - stainless steel mirror finish and technical mat by PONZI



Lowered Arch - cladded stainless steel mirror finish



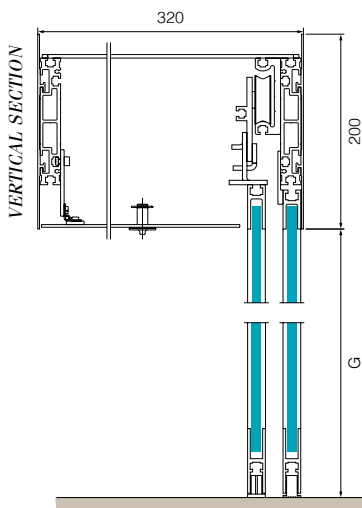
Lowered Arch - concave, profile 20 mm



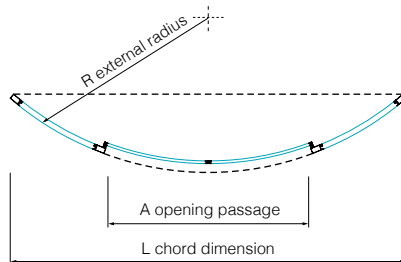
Lowered Arch - convex with break-out system TOS



Lowered Arch - mobile wings over curved glass wall



LOWERED ARCH



HORIZONTAL SECTION
JUNCTION SLIDING-FIXED WINGS
mm 20/30 profiles - mm 8/9 laminated glass



Lowered Arch - convex with break-out system TOS

RID - TOS

OPTIONAL ANTIPANIC DEVICE FOR SECURITY OUTPUTS

Automatic curved sliding doors PONZI Rondina and Lowered Arch can be provided as an option with antipanic disposal suitable for specific installation on escape route and/or safety exit. Available devices are TOS and RID type. The mechanical device T.O.S. (Total Opening System) allows the manual opening and break down of the doors, even during normal sliding operation and allows their collection, freeing the complete width passage. The RID Redundant System complies with the European EN 16005 safety standard in use and entrusts the opening of the compartment to automation, so that the doors in the event of emergency open and this way ensures the exodus. Emergency doors, smoke or fire, open up allowing people to escape. The RID automation can be used when the break-out system doors can not be opened and the TOS system can cause danger, during break-out of the doors, for transit and passage of persons in the adjacent areas. TOS disposal is used with special PONZI profiles section 50 mm, while the redundant RID automation is easily compatible with mm 20 and mm 30 PONZI profiles or with glass wings door. The diameters dimension are from mm 1100 up to mm 1940, with height from mm 2200 up to mm 2500. For the Lowered Arch TOS is available a certificate test on laboratory for the specific use in emergency route/way out. Glass is standard mm 8/9 with plastic PVB film. Colours and finishes are various.



Ronda - RID "redundant" antipanic opening simulation



Lowered Arch - T.O.S. Total Opening System in antipanic, break-out position



Lowered Arch - RID combined with 20 mm reduced profiles



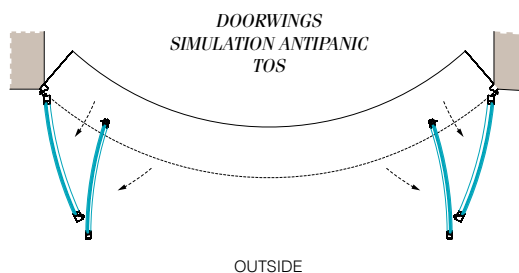
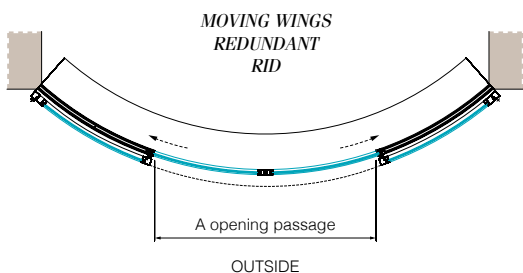
Lowered Arch - TOS with complete doorwings break-out

TECHNICAL SPECIFICATIONS LOWERED ARCH STANDARD TOS ANTIPANIC DISPOSAL

Emergency exit: U.S.
 Opening passage width:
 A = 1383 mm.
 Opening passage height:
 G max. 2305 mm.
 Mechanism length:
 depending on the radius used.
 Mechanism height: 220 mm.
 Mechanism depth: 320 mm.



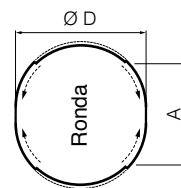
Certificate - test report for antipanic way out, emergency escape route



RONDA

CIRCULAR DOOR

The creation of a cylindrical entrance inner door can be achieved with Ronda, coupled with Rondina that has an equal diameter. This solution allows to have a suitable passage for the transport of hand luggage, suitcases, for the passage of wheelchairs and possible bulky goods, this eliminating architectural barriers. The circular and transparent shape, its perfect operation and its silence, make it a door of architectural design, creating an entrance in style. PONZI cylindrical inner door can be perfectly integrated into every type of architectural structure: headquarter offices, showrooms, hotel and airport.



Ronda - special canopy height for company headquarters

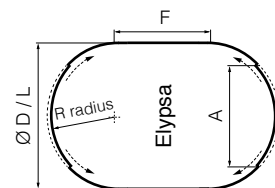


Ronda - stainless steel brushed cladded profiles, main headquarters offices

ELYPSA

OVAL DOOR

Another possible version is the creation of a deeper oval doors for entrances of prestige, mainly hotels, companies, where the users path allows both entrances to open and close, eliminating draft the passage of the air from outside to inside. The passage is linear and it allows to the customer a facilitate layout. The two doors Rondina or Lowered Arch are mutually connected by curved or linear, panelled or glazed elements so in project phase it is possible to establish the width of the entrance according to the customer's specifications.



Elypsa - N°2 Rondina joined by panel wall



Elypsa - N°2 Lowered Arch, prestige solution, Hotel entrance with brushed stainless steel finishing

OUT DOORS

SOLUTIONS "CUSTOM MADE"

COMPOSITE CURVED ENTRANCE DOORS LOWERED ARCH are achieved with Rondina automatic door and/or Lowered Arch with variable circle sector, radius can vary in function of the architectonic requirement even in antipanic versions with PONZI linear automatic sliding door with glazed or paneled elements of connection and relative frame surrounding. In frequent use are also compasses with antipanic TOS devices or with RID Redundant Automation. Rondina and Lowered Arch types are available in different materials: aluminium profiles coated in RAL painting or special colours, (PONZI colour range choice) or cladded with different material such as stainless steel and antique brass.



Hotel - Lowered Arch composition suitable for entrance hall and large spaces



Airport - Ronda composed with two large semicircular Lowered Arch



Hotel - Lowered Arch glame, Shiny Stainless Steel



Hotel - Lowered Arch Compass RID Redundant

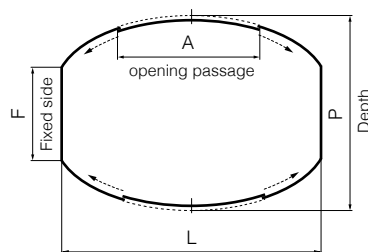


Luxury Shop - Special copper finishing

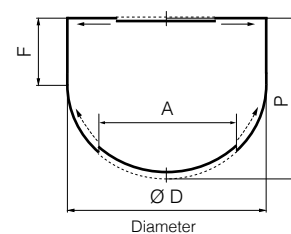


Hotel - Lowered Arch Compass with linear sliding door

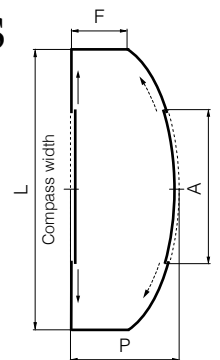
CURVED ENTRANCE SOLUTIONS



Double
Arco Ribassato



Rondina +
AS sliding door



Arco Ribassato +
AS sliding door



PONZI Automatic Doors
26/a, Viale Gramsci
48031 · Bagnara · RA · Italy
☎ +39 0545 76009

PONZI Italian Branches
25, V.le D'annunzio · MILAN
1378, V.Salaria · ROME
6, V. Moro · Montesilvano · PE

PONZI