

PG

AUTOMATIC
MANUAL
REVOLVING DOORS



PG

— 3/4 DOOR WINGS —
— ROTATING SYSTEM —
— THE ULTIMATE RANGE —

PONZI PG 3

THREE WINGS REVOLVING DOORS



PONZI PG 3 automatic revolving door manufactured in aluminum



PONZI PG 3 with manual sliding doors for nightlock closing

PONZI revolving doors can be installed in different types of buildings, mainly hotels, business offices, shopping centres, public places and various. The revolving entrances are a conscious choice to create a highly sustainable building, limiting temperature fluctuations between indoor and outdoor environments, generating a positive energy balance and drastically reducing air currents and temperature variances. From the aesthetic point of view, door customization is possible by varying the different finishes: RAL painted, anodized with electro-colour and polished. PG doors are realizable with different diameters from mm 1800 up to mm 3800 and they are achievable with many possibilities of options, according to the different aesthetical application, use and operation. PG 3 wings is recommended in the entrances with limited spaces and when a wider passage is required, taking advantage of the division in three parts of the sector of circle. PG 3 wings in the great dimensions diameters is also used for the commercial buildings and hotels with high traffic flow because it allows an easy transit of people, but also of trolleys, goods and baggage. It is also suitable for people with reduced mobility by activating the button that reduce the speed during the use.



PONZI PG 3 revolving door small diameter - Public Offices



PONZI PG 3 revolving door with large diameter - Retail spaces

PONZI PG 4

FOUR WINGS REVOLVING DOORS



PONZI PG 4 revolving door - suitable solution for hotel entrances, provided with safety sensors, technical mat: PONZI Tire inserted into the floor

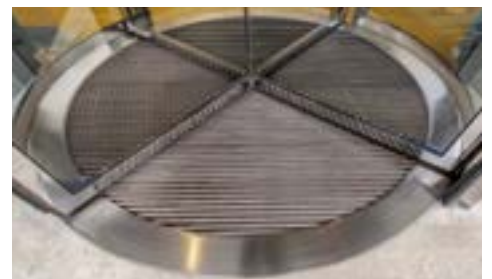
PONZI is the first Italian company to propose an innovative revolving manual or automatic door, with fixed curved panels, upper canopy and minimized central column. Thanks to its minimal design, it is also suitable for classic architectural context and meets all current safety and quality requirements. The automatic version, following a risk analysis, can be endowed with detection sensors on the wings, for people's safety inside every sector of the door. Motorization is inserted in the upper canopy with standard height of mm 200. Glasses, both for curved panels and rotating wings, are made of 8/9 mm safety laminated shock-resistant glass, which ensures the resistance to the bumpers and the chipping in the event of collision. Door profiles are made of extruded aluminium PONZI's series and contain special anti-static and anti-dust hair brushes. PG 4 wings revolving doors can be realized with different personalisation and are recommended for various context and buildings with high traffic flow in which the pedestrian passage is continued. The 4 wings version is more suitable for pedestrian traffic if diameter is less than mm 3000, while it is also used for mixed traffic, people and trolleys with bigger diameters. PG 4 revolving doors, in manual version, are complete of horizontal or vertical tubular bars in satin stainless steel and it is possible to personalize the type of bars on request. In the automatic version, the motor is positioned in the upper and inspectionable ceiling realized in aluminium with same finishing and color of the door. Optionally the revolving door PONZI may have a PONZI technical mat on the floor. It is made of aluminum strips and alternating rubber compound or carpet strips on surface. It is embedded in the floor by a containment ring. PONZI technical mats reveal an important qualitative detail and give comfort and hygiene to the building's entrance.



PONZI technical mat fitted into the floor



Aluminum sheet inspection ceiling and spotlights



Stainless steel doormat finishing ring

PONZI PG

STAINLESS STEEL FINISH

PONZI revolving doors have many possibilities of application and are made upon design, method “tailor-made”. They can be used in different contexts, accommodation facilities, main entrances of hotels, office centers and airports; they are produced with various diameters, colors and materials, upon architect needs. The steel finishes are particularly suitable to create specific design contexts and remarkable aesthetic effects: polished stainless steel design, satin steel design finish, and special special “rust effect” with corten-steel finish, or special stainless steel with gold finish which create an exclusive prestigious entrance.



Polished stainless steel revolving door for hotels



PG revolving finish “brush” stainless steel



Corten steel solution for an historic building

WOODEN DESIGN SOLUTIONS

The highly customizable Lignum PONZI revolving doors are made of wood, with bronze and brass finishes and accessories, with three or four doorwings, with automatic or manual operation. Different kind of wood are used for their construction, with various finishes and decorations. The Basic model foresees canopy, wings and bottom in flush wood. The further versions as Exclusive and De Luxe with high personalization, foresee decorations and finishes in wood and brass; it is possible to add wood shaped profiles in the upper ceiling; the bumper plates and the bars are made of brass. These solutions are suitable for prestigious architectural entrances and for the hotel sector, such as Grand Hotel entrances and buildings of historical value.



Lignum Basic revolving door for Grand Hotel



PONZI Exclusive revolving door for main lobby



PONZI De Luxe with decorative elements on the canopy

— | “TAILOR-MADE” FOR PRESTIGIUOS BUILDINGS | —

PONZI PG

SPECIFICATIONS

REVOLVING DOOR PG - PONZI

MANUAL VERSION:

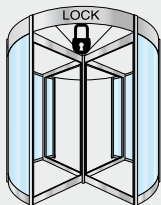
- Semi-circular fixed side panels built with extruded aluminium alloy profiles specially designed for revolving automation systems, surface finish with RAL painting (to be chosen from our color chart), and 4+4 mm safety laminated glass with interposed 0.76 mm PVB film
- Circular 200 mm high upper canopy with extruded aluminium alloy profile specially made in either coplanar or external version (optional), complete with dustproof top panel
- 3/4 REVOLVING WINGS fixed on a rotating central axle, made of aluminium alloy profiles, surface finish with RAL painting (to be chosen from our color chart), and 4+4 mm safety laminated glass with interposed 0.76 mm PVB film
- 40 mm hair brushes and seals made with anti-static technical material, placed on the three sides of the doorwing for an optimum sealing in any position
- Manual lock with safety cylinder for the manual closing of the revolving door

AUTOMATIC VERSION:

- Device for the AUTOMATIC function with an electromechanical automation activated when a user is next to the door, and accompanies the entrance and/or exit path, always repositioning the wings in perfect closure, and includes:
 - DC 24 Volt motor
 - Electric board with low voltage microprocessor control unit
 - Main power supply: 230 V a.c., 50 Hz, 0.3 kW (max)
 - 5-positions function selector (LOCK / AUTOMATIC / PUSH & GO / CONTINUOUS ROTATION / MANUAL)
 - N° 2 motion sensors for the opening input
 - N° 1 red emergency stop push-button on the vertical transom exit side
 - N° 2 sensitive safety rubber rims at each end of the fixed curved parts. The activation of one of them stops the rotation of the wings
 - N° 2 active infrared safety sensors for slow motion and/or stop near the two sensitive rims
 - OPTIONS: passive or active safety rubber sensor, positioned into the bottom and vertical profiles of each mobile doorwing - Bottom Safety
 - ACCESSORIES: N°2 disabled push-buttons (automatic type) that reduce the rotation speed, for an easy transit.

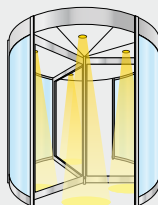
AVAILABLE OPTIONS

Electromagnetic lock



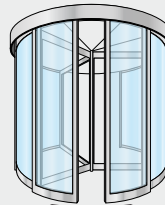
To enable the night locking function it is possible to insert an electromagnetic lock device, activated by the function selector fixed on the door or on a reception desk.

Door lighting



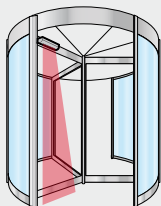
PG doors can be completed with a standard lighting system, using LED low energy spotlights. Lights can also be personalized upon specific needs.

Night sliding doorwings



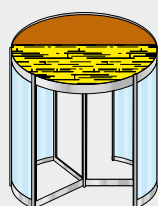
For night-time protection or in case of strong wind with contrast closure, are available two external manual sliding semicircular doorwings, glazed or paneled.

Safety



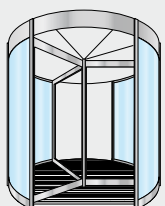
A dedicated safety sensor positioned in the upper profile of each doorwing, avoids the contact with people passing through the door, detecting their presence.

Watertight bitumen cover



The upper ceiling can be provided in the waterproof version with the application of bituminous material in the external part subject to possible humidity or water.

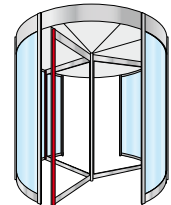
Technical doormat floor



Different types of recessed technical mats composed of aluminium strips and rubber or carpet are available, provided with their proper stainless steel or aluminium containment ring.

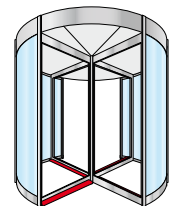
EQUIPMENT

Vertical safety



In the automatic versions for diameters equal or over mm 2800 is supplied an active vertical safety rubber sensor positioned in the aluminium frame of each mobile doorwing.

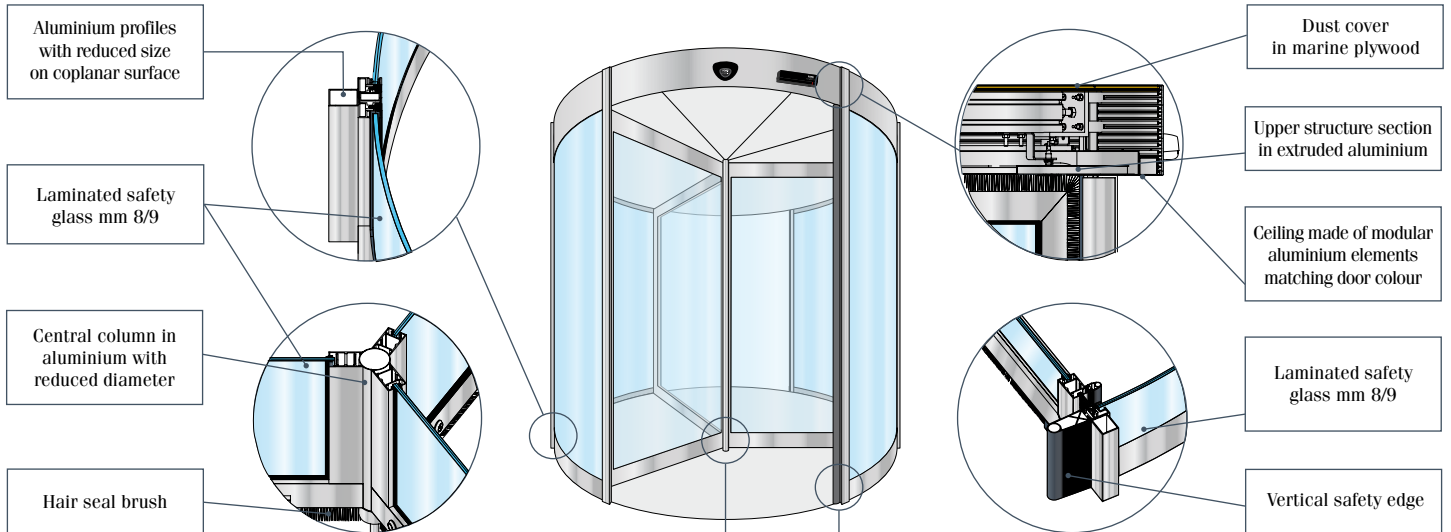
Bottom Safety



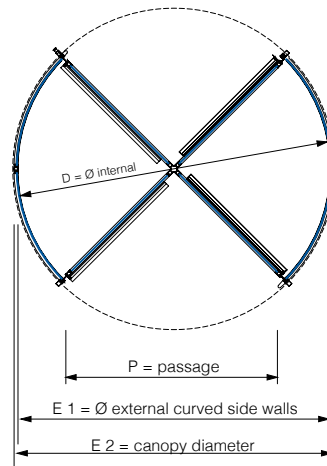
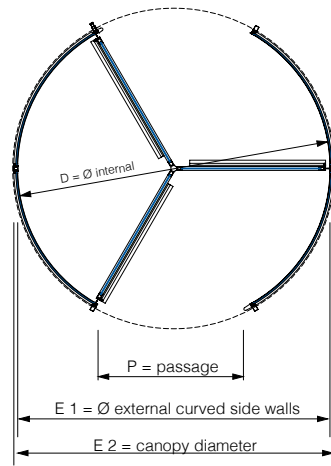
For users protection, a passive or active safety rubber sensor is supplied. It is positioned in the bottom profile of each mobile doorwing; the type is chosen under risk analysis or local law or norms.

PONZI PG

DETAILS



PG 3				
D = Ø	± P	E 1	E 2	
2000	940	2080	2105	
2200	1040	2280	2305	
2400	1140	2480	2505	
2600	1240	2680	2705	
2800	1340	2880	2905	
3000	1440	3080	3105	
3200	1540	3280	3305	
3400	1640	3480	3505	
3600	1740	3680	3705	
3800	1840	3880	3905	



PG 4				
D = Ø	± P	E 1	E 2	
2000	1335	2080	2105	
2200	1480	2280	2305	
2400	1620	2480	2505	
2600	1760	2680	2705	
2800	1900	2880	2905	
3000	2045	3080	3105	
3200	2185	3280	3305	
3400	2325	3480	3505	
3600	2470	3680	3705	
3800	2610	3880	3905	

Internal diameter D (mm)	N° Door wings	Speed at the end - door wings [m/s]	Laps per minute	Max people per sector	Max capacity per hour	Max capacity per minute
2000	3	0,75	7,2	1	1296	22
2200	3	0,75	6,5	1	1170	20
2400	3	0,75	6	2	2160	36
2600	3	0,75	5,5	2	1980	33
2800	3	0,75	5,1	2	1836	31
3000	3	0,75	4,8	3	2592	43
3200	3	0,75	4,5	3	2430	41
3400	3	0,75	4,2	4	3024	50
3600	3	0,75	4	4	2880	48
3800	3	0,75	3,8	5	3420	57

Internal diameter D (mm)	N° Door wings	Speed at the end - door wings [m/s]	Laps per minute	Max people per sector	Max capacity per hour	Max capacity per minute
2000	4	0,75	7,2	1	1728	29
2200	4	0,75	6,5	1	1560	26
2400	4	0,75	6	1	1440	24
2600	4	0,75	5,5	1	1320	22
2800	4	0,75	5,1	2	2448	41
3000	4	0,75	4,8	2	2304	38
3200	4	0,75	4,5	2	2160	36
3400	4	0,75	4,2	3	3024	50
3600	4	0,75	4	3	2880	48
3800	4	0,75	3,8	3	2736	46



PONZI Automatic Doors
 26/a, Viale Gramsci
 48031 · Bagnara · RA · Italy
 ☎ +39 0545 76009

PONZI Italian Branches
 25, V.le D'annunzio · MILAN
 1378, V.Salaria · ROME
 6, V. Moro · Montesilvano · PE

PONZI